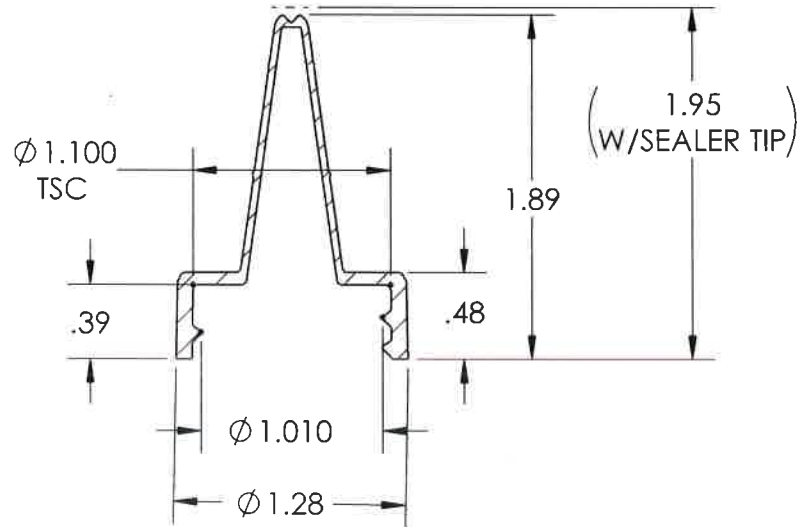
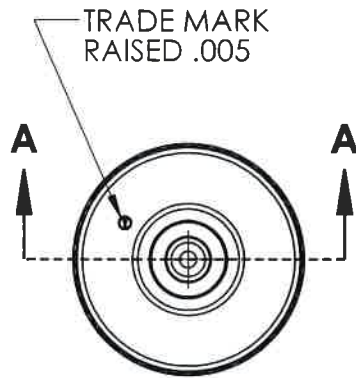
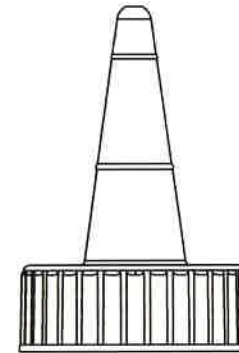


ECN/ECO	REV.	DESCRIPTION	DRAWN	CHECKED	APPR'VD
	C	REDRAWN IN SW	PWH 02/22/18	JL 06/26/18	JL 06/26/18



SECTION A-A



ACTUAL SIZE

NOTES:

1. TORQUE SPEC. TIGHTENING FORCE 12-21 IN-LBS
2. SURFACE FINISH: SPE SPI#3
3. HOLE SIZES AVAILABLE: .030, .055, .090 OR NO HOLE AS SHOWN
4. THREAD SPEC.: YORKER BUTTRESS FORM 1 1/4 TURNS OF FULL THD.

THIS DRAWING IS CONFIDENTIAL AND IS THE SOLE PROPERTY OF JARDEN PLASTIC SOLUTIONS AND IS NOT TO BE REPRODUCED OR DISTRIBUTED IN ANY FORM WITHOUT PERMISSION.

ALL DIMENSIONS IN INCHES. TOLERANCES UNLESS OTHERWISE SPECIFIED:
 2 PL DEC +/- .015
 3 PL DEC +/- .010
 4 PL DEC +/- N/A
 ANGLES +/- .50°

ALL UNDIMENSIONED FEATURES TO HAVE A TOLERANCE OF ±.010"

DRAWN:	TDS	DATE:	
CHECKED:	HNV	DATE:	11/06/92
APPROVED:		DATE:	
MATERIAL:	LDPE	GRADE:	
MOLD NO.:	???	COLOR:	AS ORDERED
CUSTOMER PART NO.:			
SCALE:	1:1	SHEET:	1 OF 1

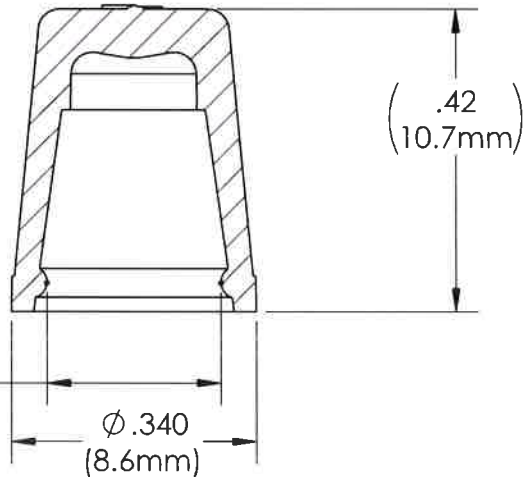
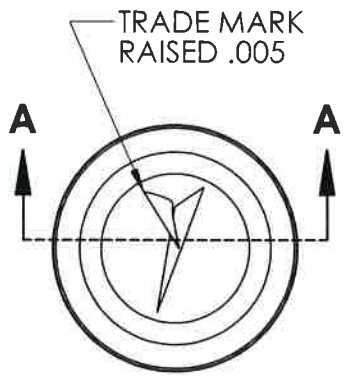


1303 S. Batesville Rd. Greer, SC 29650-9301

TITLE:
SPOUT CAP 28mm 400 FINISH

REV:	JARDEN PART/DWG NO.:	SIZE
C	10698-S-C	A

ECN/ECO	REV.	DESCRIPTION	DRAWN	CHECKED	APPR'VD
	E	REDRAWN IN SW	PWH 02/15/18	JL 06/26/18	JL 06/26/18



ACTUAL SIZE

NOTES:
1). SURFACE FINISH: SPE SPI#3


SECTION A-A
SCALE 4 : 1

THIS DRAWING IS CONFIDENTIAL AND IS THE SOLE PROPERTY OF JARDEN PLASTIC SOLUTIONS AND IS NOT TO BE REPRODUCED OR DISTRIBUTED IN ANY FORM WITHOUT PERMISSION.

ALL DIMENSIONS IN INCHES. TOLERANCES UNLESS OTHERWISE SPECIFIED:
2 PL DEC +/- .015
3 PL DEC +/- .010
4 PL DEC +/- N/A
ANGLES +/- .50°

ALL UNDIMENSIONED FEATURES TO HAVE A TOLERANCE OF ±.010"

DRAWN:	TDS	DATE:	
CHECKED:	HNV	DATE:	11/06/92
APPROVED:		DATE:	
MATERIAL:	LDPE	GRADE:	
MOLD NO.:	5001	COLOR:	AS ORDERED
CUSTOMER PART NO.:			
SCALE:	4:1	SHEET:	1 OF 1


YORKER PACKAGING

1303 S. Batesville Rd. Greer, SC 29650-9301

TITLE:
REGULAR SEALER CAP (TIP)

REV:	JARDEN PART/DWG NO.:	SIZE
E	10701-S-E	A