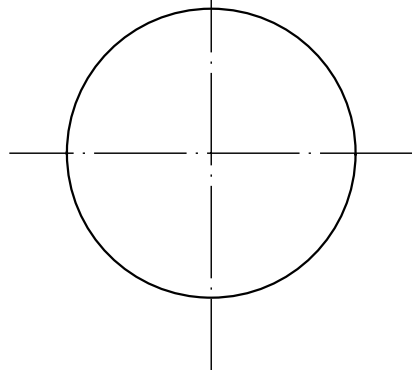
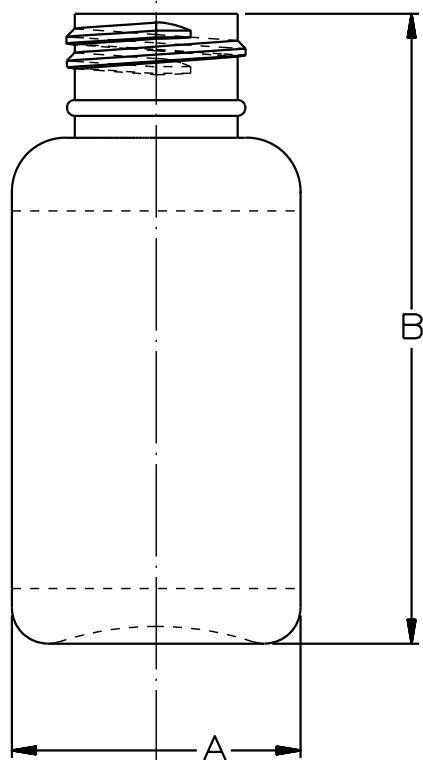
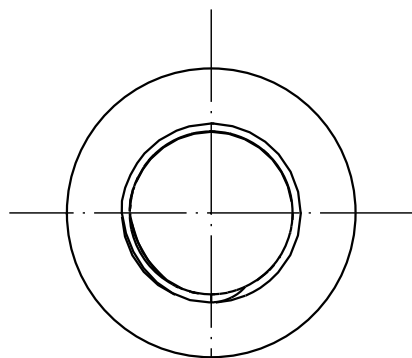




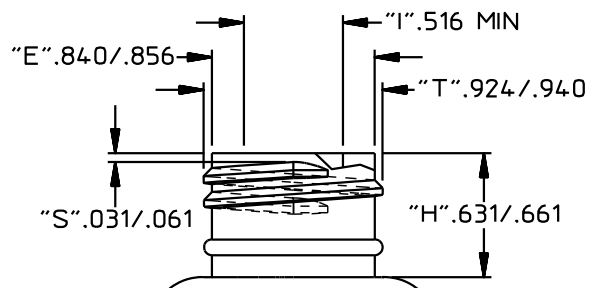
PRECISION CONCEPTS

570 Fifth Street
 Prescott, AZ 86301
 928-445-2592

PRESCOTTSALES@PCINTERNATIONAL.COM
 WWW.PCINTERNATIONAL.COM



NECK DETAIL



2oz Boston Round 24-410 Drawing# 86-463-C	
O.F.C.	70±3.5cc
WEIGHT	7.5g**
FINISH	24-410
DIAMETER(A)	1.504±.047
HEIGHT(B)	3.281±.047
MAX LABEL(HEIGHT)	1.900
MAX LABEL(WIDTH)	4.575
PLUG FIT	USER SPECIFIED

**SPECIAL WEIGHTS AVAILABLE UPON
 REQUEST**

MANUFACTURED BY EXTRUSION BLOW MOLD
 DRAWING NOT TO SCALE