

2

1

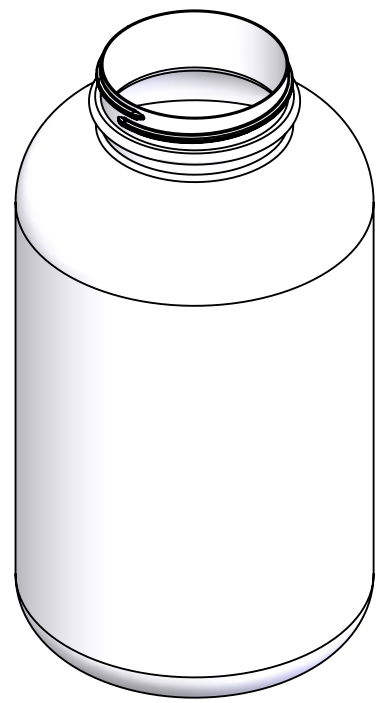
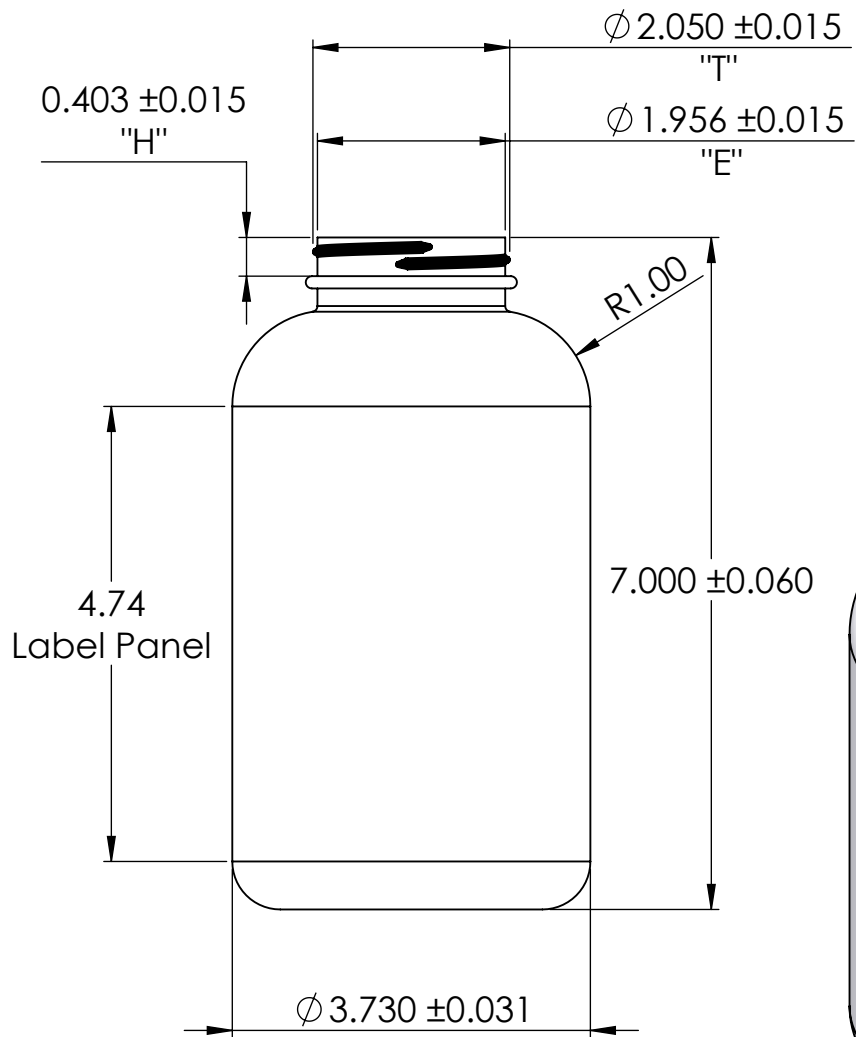
B

B

A

A

SPECIFICATION NECK FINISH 53SP400		
KEY	MAX	MIN
T	2.065	2.035
E	1.971	1.941
H	0.418	0.388
S	0.061	0.031



Rev.	Description	By	Date	ECR
A	Original Release	AS	3/16/2010	N/A
B	Weight, Format, min. wall thick.	SM	11/7/2017	N/A
C	Weight	SM	8/8/2018	N/A

Notes/Comments:

1. Min. wall thickness: 0.012 inches
2. Dimensions are nominal (millimeters/inches).
3. This drawing represents the bottle 72 hours after time of manufacture. (Storage at nominal conditions)
4. The dimensional tolerances applied to the Overall Height of the container are to be applied to all height dimensions.
5. The dimensional tolerances applied to the major diameter or width of the container are to be applied to all diameter, width and thickness dimensions.
6. The actual weight will vary based on the actual production weight of the preforms
7. Fill levels are based on room temperature water
8. Tim Plastics, Inc. assumes no responsibility for fit, function or form of closures, accessories and/or shelf life and compatibility of intended contents with this bottle.
9. The customer is responsible to determine the suitability of the intended use of this product and to keep it in a suitable environment (cool and dry) during transportation, storage and handling

CONFIDENTIAL
Volume & Weight Information

Capacity Specification

Fill Line Capacity (Approximate):	950 ml	Overflow Capacity:	1047 ± 15.0 ml	Process/Preform:	IBM
Material:	HDPE	Container Target Weight:	66.0 ± 3.0 gm	Neck Finish:	53SP400

Drawing Information

Date:	8/8/2018	Drawn By:	SM	Customer:	
Scale:	SCALE: 1:2	Checked By:	AS		

Title: **950cc Wide Mouth Round**

Drawing Type: **Product Drawing**

Drawing Number: **A 10010950** Rev. **C**

Tim Plastics, Inc.
97 N. Leslie Rd.
North East, MD 21901

PROPRIETARY AND CONFIDENTIAL

THIS DOCUMENT IS THE EXCLUSIVE PROPERTY OF TIM PLASTICS, INC. THE INFORMATION CONTAINED HEREIN, AND ANY MODEL CONTAINER OR OTHER ARTICLE RECEIVED, IS PROPRIETARY AND CONFIDENTIAL AND MUST ONLY BE USED FOR THE PURPOSE FOR WHICH IT WAS DISCLOSED. THE HOLDER WILL NOT DISCLOSE TO A THIRD PARTY. UPON COMPLETION OF USE OR BY REQUEST, THIS MATERIAL IS TO BE RETURNED TO TIM PLASTICS, INC. THIS DOCUMENT IS NO LONGER A CONTROLLED DOCUMENT WITHIN TIM PLASTICS, INC. DO NOT ASSUME THAT THIS DRAWING IS CURRENT.

2

1



Penn Color, Inc.
400 Old Dublin Pike
Doylestown, PA 18901
Phone: 215-997-2221
Fax: 215-822-5801

Sandy Patel
Tim Plastics
97 North Leslie Road
North East, MD 21901

July 8, 2009

Dear Ms. Patel:

Based on information received from our raw material suppliers, all of the ingredients used in the following formulations of Penn Color product(s) are listed by FDA in Title 21, Code of Federal Regulations in one or more of the following sections or exempt pursuant to the same.

66W42 White PET Dispersion 1%

- | | |
|----------|--|
| 175.300 | Resinous and polymeric coatings |
| 175.390 | Zinc-silicon dioxide matrix coatings |
| 177.1660 | Poly (tetramethyleneterephthalate) as specified in section (c) (2) |
| 178.2010 | Antioxidants and/or stabilizers for Polymers |
| 178.3297 | Colorants for polymers |

Please note that some of the colorants used in the formulation of this product at Penn Color's recommended let down ratio may be used as a colorant for polymers with all food types under various conditions for use in thick LDPE, LLDE, HDPE, and PP at loadings up to 5% pigment, and up to a maximum use temperature of 450 deg F.

Be advised that the product will comply with all FDA restrictions identified above when used at Penn Color's recommended let down ratio of 1.0% up to a maximum let down ratio of 4.0%

The information provided has been compiled and is believed to be reliable. It is meant as a guide and is not intended to replace, supplement or interpret any regulations. It is the responsibility of the user to assess its product uses and applications and assure compliance to all applicable laws and regulations. If I can be of further assistance regarding this matter please do not hesitate to contact me.

Regards,

Michael Ruben
EHS Manager