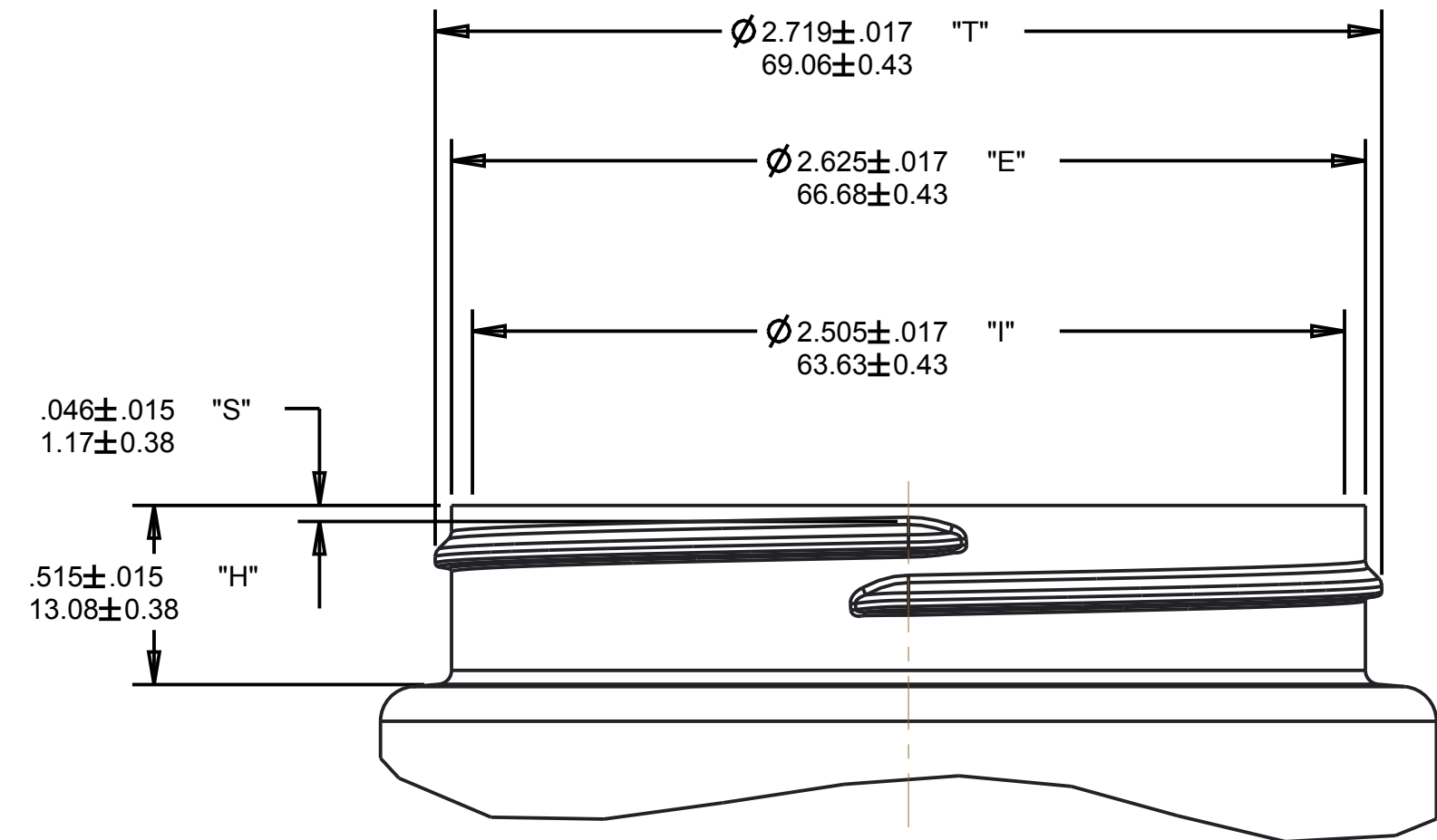
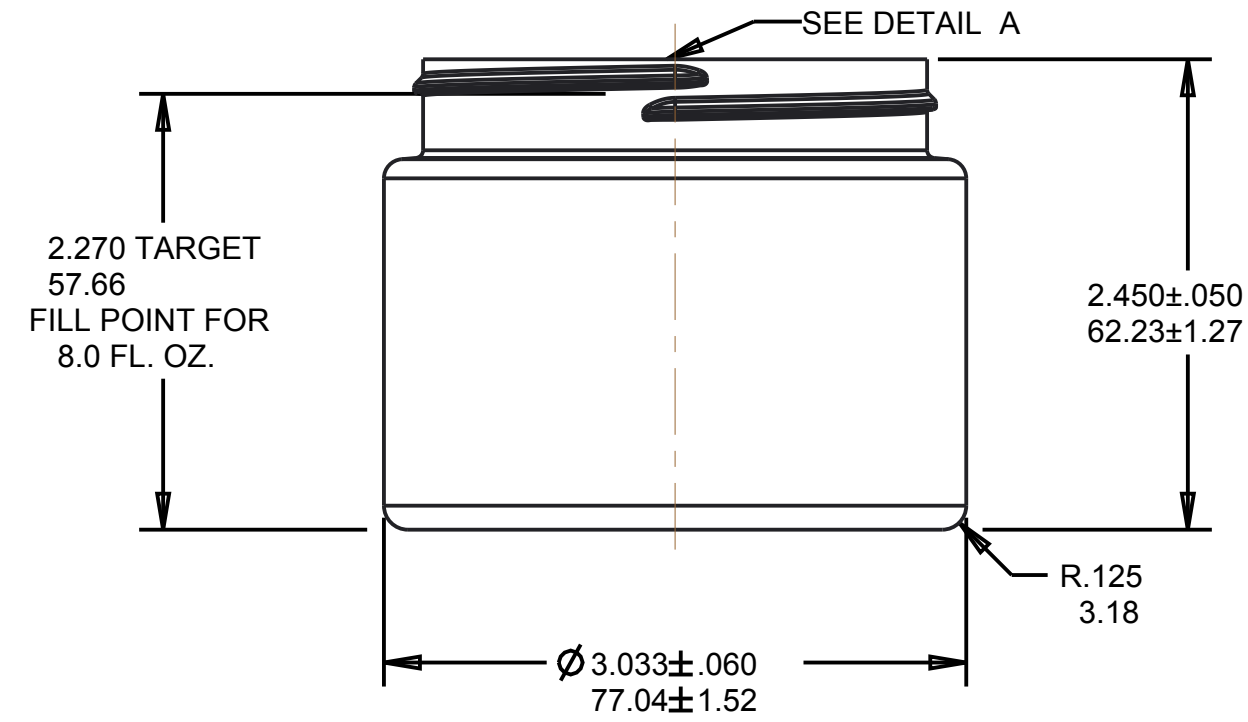
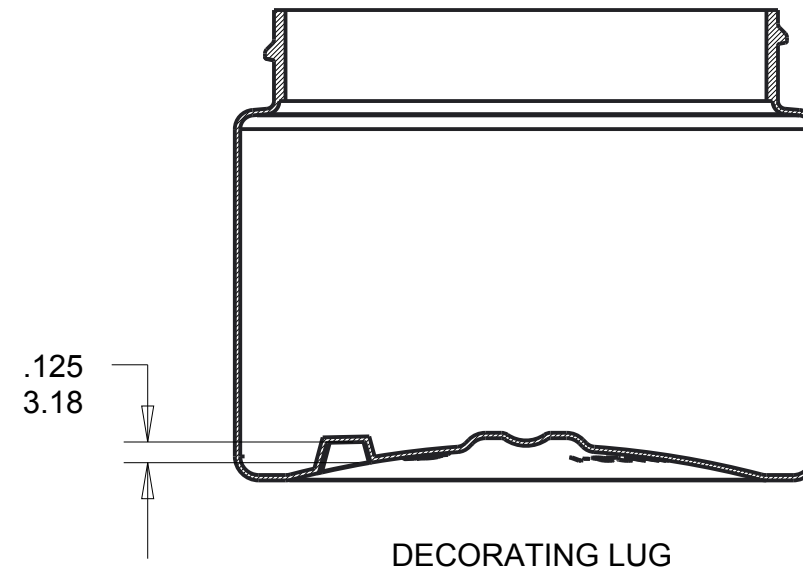
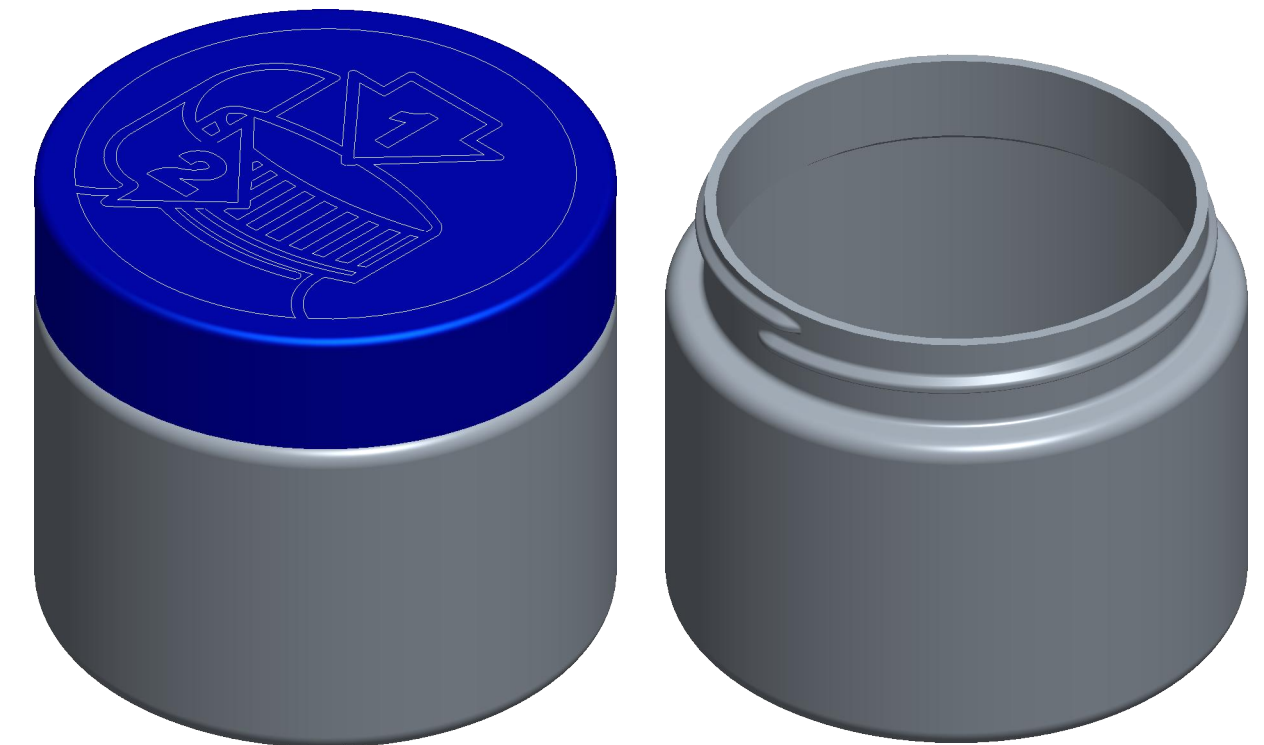
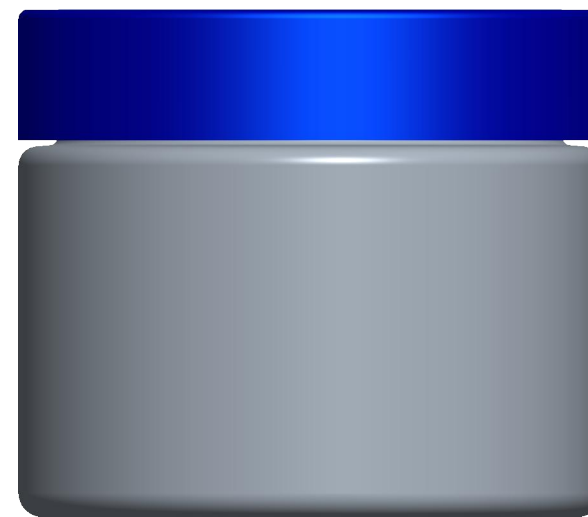
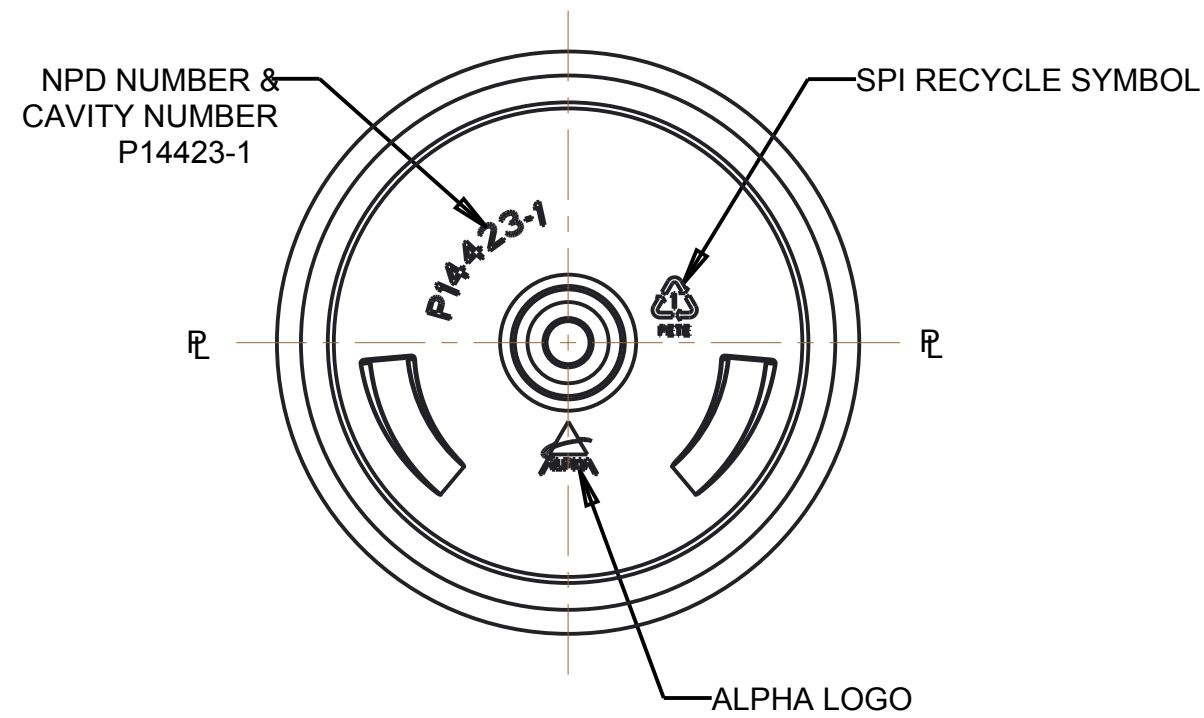



REV	E.C.N.	DESCRIPTION	BY	DATE
A		INITIAL RELEASE	ZAJ	06/26/18
B		MOVED ENGRAVING TO INSIDE THE DECORATING LUGS	JAZ	08/02/18
C		ADDED DECORATING LUG DETAIL & .125 WAS .075	JAZ	08/29/18
D		ADDED ALPHA LOGO	JAZ	10/17/18



DETAIL A  
M70 NECK FINISH SPECIAL "H"  
6 T.P.I., 1 THREAD TURN  
SCALE 2.000



ENGRAVING RAISED .010"

Alpha Packaging, Inc.		DISCLAIMER: Alpha Packaging assumes no responsibility for form, fit and function of closures, accessories, and/or shelf life and compatability of intended contents with this bottle.		
Specification General:	Min. Thk (in.)	Weight (g)	Overflow (mL)	 (314) 427-4300 / (800) 421-4772
All measurements are in inches, [mm]	.008	22.0 ± 2.0g	251.0 ± 7.0cc	
Base engraving is subject to change location & size.	Scale:	NPD #:	Drawn By:	Date:
	1.000	14423	JAZ	Apr-11-18
Tolerance where not shown:	NECK FINISH:	M70 SPECIAL "H"		8 OZ. CANNABIS JAR
Decimal ±0,05 [1,27] Angular ±1°	MATERIAL:	PET		
	Approved By:	Drawing Number:		DwgRev
		P0236JRRD070A		D