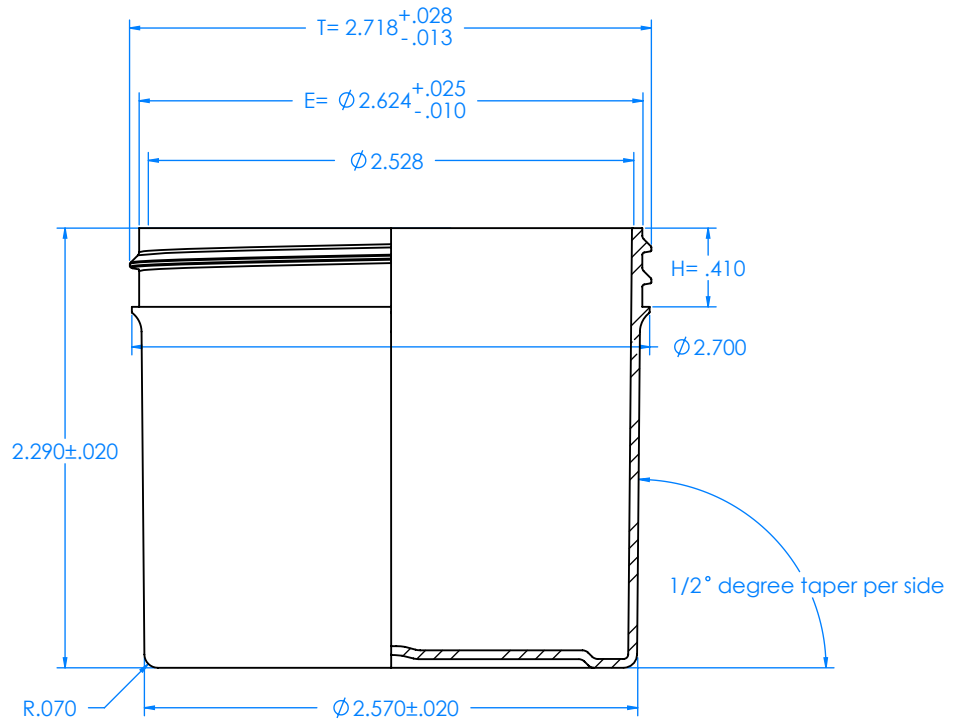




725 zwissig way
 union city, ca 94587
 phone: 866-93-taral
 www.taralplastics.com

WARNING: PROPRIETARY AND CONFIDENTIAL

THE INFORMATION CONTAINED IN THIS DRAWING IS THE SOLE PROPERTY OF TARAL PLASTICS. ANY UNAUTHORIZED USE, TRANSMISSION, OR REPRODUCTION IN PART OR AS A WHOLE WITHOUT THE WRITTEN PERMISSION OF TARAL PLASTICS IS STRICTLY PROHIBITED.



DECORATION AREA
 WRAP: 7.75 inches
 HEIGHT: 1.44 inches
 DRAFT: 1/2° per side

REVISIONS				UNLESS OTHERWISE NOTED DIMENSIONS ARE IN INCHES TOLERANCES ARE:		MATERIAL:	POLYPROPYLENE	PART DESCRIPTION:				
REV.	DATE	DESCRIPTION	BY	DIM.	TOL.	APPROX WEIGHT:	16.5 grams	<p style="text-align: center;">4oz 70mm Regular Wall Polypropylene Jar</p>				
				.00	.030	APPROX OVERFLOW:	176 ml					
				.000	.020	THREAD:	5 T/In PITCH					
COMMENTS: MADE IN U.S.A.				DRAWN BY: J.T.		APPROVED BY: C.M.		DATE: 11/05/2016	SCALE: 1:1	DO NOT SCALE DRAWING	REV. A	SIZE A

PART CODE: 4-70-RW-PP
 SHEET 1 OF 1