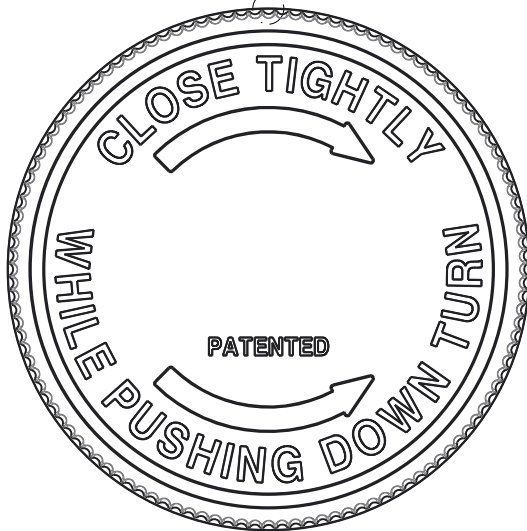


DESCRIPTION	MATERIAL	WEIGHT (REF)
28mm-400 OUTER COVER - TEXT	POLYPRO	2.4g
28mm-400 INNER CLOSURE	POLYPRO	2.3g

SEE DECORATION DETAIL



NOTES:

DIAMETERS TO BE TAKEN AS AVERAGE
6 TPI THREAD CONSTRUCTION

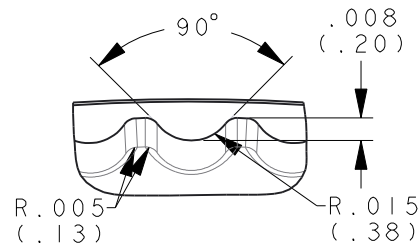
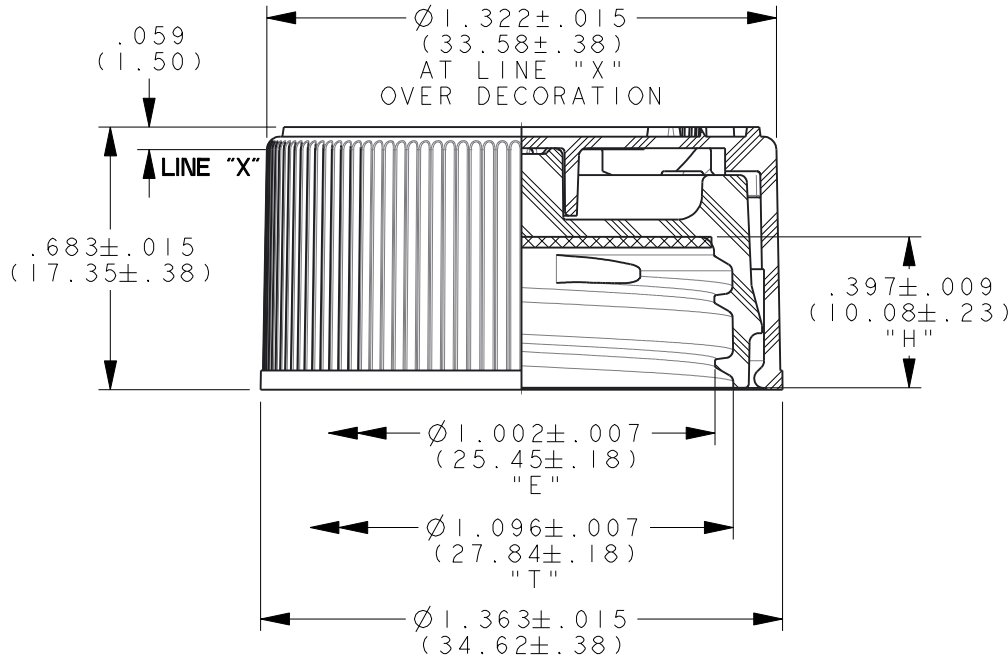
SEE DRAWING QIM-500-A105 FOR SPECIAL FINISH CONSIDERATIONS

SUGGESTED APPLICATION TORQUE:
13-19 IN-LBS (1.5-2.1 N-M)

CAVITY NUMBER TO APPEAR ON INSIDE TOP SURFACE OF BOTH OUTER AND INNER CLOSURES

ENGLISH DIMENSIONS IN INCHES
METRIC DIMENSIONS IN (mm)

SUPERSEDES DWGS #K6113 AND QIM-500-A93

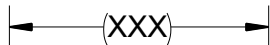


DECORATION DETAIL

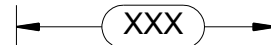
REFERENCE ONLY
SCALE 15:1

120 EQUALLY SPACED CUTS

REV. A - 2/12/2018 - EPH
#RCT170564



REFERENCE DIMENSIONS ARE NOT INSPECTED AND NO TOLERANCE APPLIED



INSPECTION DIMENSIONS ARE VERIFIED WITH TOLERANCE

THIS DRAWING IS NOT A CONTROLLED DOCUMENT IF PRINTED OR COPIED FROM THE APPROVED LOCATION

CONFIDENTIAL

THIS UNPUBLISHED WORK IS THE PROPERTY OF BERRY GLOBAL, INC AND IS PROTECTED BY TRADE SECRET, COPYRIGHT AND OTHER INTELLECTUAL PROPERTY LAWS AND MAY ALSO BE SUBJECT TO A SPECIFIC OR GENERAL CONFIDENTIALITY AGREEMENT. IT IS NOT TO BE VIEWED BY UNAUTHORIZED PERSONS OR DUPLICATED IN ANY MEDIUM FOR PURPOSES OTHER THAN THOSE FOR WHICH IT IS SPECIFICALLY FURNISHED.



101 OAKLEY STREET
EVANSVILLE,
INDIANA 47706
TEL. (812) 424-2904

SIZE AND STYLE: CR28400FXUS	DRAWING TYPE: CUSTOMER
DESCRIPTION: 28mm-400 CR4 CHILD RESISTANT CLOSURE W/ TEXT INSTRUCTIONS	
DRAWING NO: QIM-500-A130	PROJECT NO:
CREATED BY: L BROZELL	CREATION DATE: 09/28/11
DRAWING REVISION: A	SHEET 1 of 1
SCALE: 2:1	SHEET SIZE A

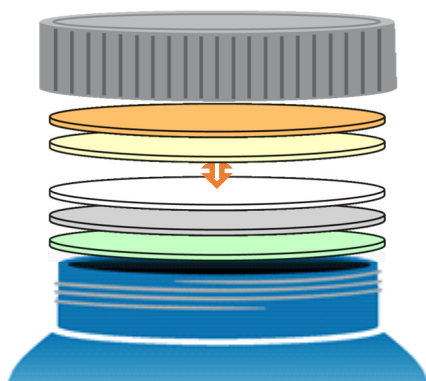
PRODUCT DATA SHEET

HS035//35WLP

- HS035//35WLP is a two-piece, pulp backed, induction heat seal and liner with an Ethylene-Vinyl Acetate (EVA) based sealant layer that gives a tamper evident bond to Polyethylene (PE), Polypropylene (PP), Polyester (PET), Polystyrene (PS), Vinyl (PVC) and glass containers.
- Available with standard or custom print.

Typical Product Attributes

Construction

		SI (µm)	US (Mils)
White Lined Pulp Wax		889,0	35.0
White Paper		25,4	1.0
Aluminum Foil		71,1	2.8
Heat Seal		8,9	0.35
		38,1-76,2	1.5-3.0
Thickness Tolerance		± 10%	± 10%
Minimum Width		25,4 mm	1.0 in
Width Tolerance		± 1,6 mm	± 0.0625 in

Properties

Oxygen Transmission (O ₂ TR)	Essentially Zero
Water Vapor Transmission (WVTR)	Essentially Zero

Regulatory Compliance

FDA Compliance	21 CFR 178.3710 Petroleum wax. 21 CFR 177.1350 Ethylene-vinyl acetate copolymers. 21 CFR 177.1210 Closures with sealing gaskets for food containers. 21 CFR 176.180 Components of paper and paperboard in contact with dry foods. 21 CFR 176.170 Components of paper and paperboard in contact with aqueous and fatty foods.
Drug Master File (DMF)	002518
Other Compliances	USFDA Food Allergen Guidelines California Proposition 65 Labeling Requirements Limitations of Heavy Metals in Packaging per CONEG & EU 94/62/EC, Article 11
Safety Data Sheet (SDS) Statement	Safety Data Sheets (SDS) are not required for articles as defined in 29 CFR 1910.1200, the OSHA Hazard Communication Standard (HazCom). This product is an article as defined by HazCom and is not considered to be, or to contain, a hazardous chemical based on evaluations made by our company.

Please note that construction does not reflect adhesive or resin bonding layers, if present.

Revision Number: 3
Revised Date: 2018-05-29

DISCLAIMER: This information is believed to be accurate at the time of printing and is subject to change without notice. Providing this information does not convey any licenses under any patent rights or intellectual property rights of Tri-Seal or others. TRI-SEAL MAKES NO WARRANTY, EXPRESS OR IMPLIED, WITH RESPECT TO THIS INFORMATION AND DISCLAIMS ALL LIABILITY FROM RELIANCE ON IT. Tri-Seal's only warranties for this product are those written warranties as may be agreed to by Tri-Seal and its customers. TRI-SEAL SPECIFICALLY DISCLAIMS ALL OTHER WARRANTIES, EXPRESS OR IMPLIED, WITH RESPECT TO THE PRODUCT, INCLUDING, BUT NOT LIMITED TO, WARRANTIES OF MERCHANTABILITY AND FITNESS FOR PARTICULAR PURPOSE.

400 PP Child Resistant Push & Turn

Product Information Sheet

SKU/Product ID/Reference

CR28400FXUS

Product Description

This 28 mm push-and-turn child-resistant closure offers enhanced safety and usability. Designed with a fine-ribbed sidewall for better grip and text top opening instructions for optimal user experience. Features a modified buttress, or “M” style, thread profile for more precise closure-to-bottle thread contact. Available with a standard liner. Suited for the healthcare, nutraceuticals, beauty and personal care, and many other markets.



Features and Benefits

- Child-resistant and senior-friendly
- Stock and custom-made options
- Matching bottles or vials available for total package solutions
- Printing, highlighting and user-centered design to stand out on shelves
- Multiple manufacturing locations and vertical facilities
- Commissioning, Qualification, and Validation (CQV) process compliant

Regions Available

North America

Factory Locations

Princeton, IN

Product Information

Diameter	28 mm
Weight	0 g
Material	PP
Case Weight	31 Pounds
Case Count	2600
Cases per Pallet	21
Neck Thread	400
Closure Top	Text
Closure Diameter	28 mm
Closure Sidewall	Fine Ribbed

berryglobal.com

Specifications are subject to change without notice.